



EXTARO 300 from ZEISS

Visualize Beyond



Perfecting your art.

ZEISS EXTARO 300



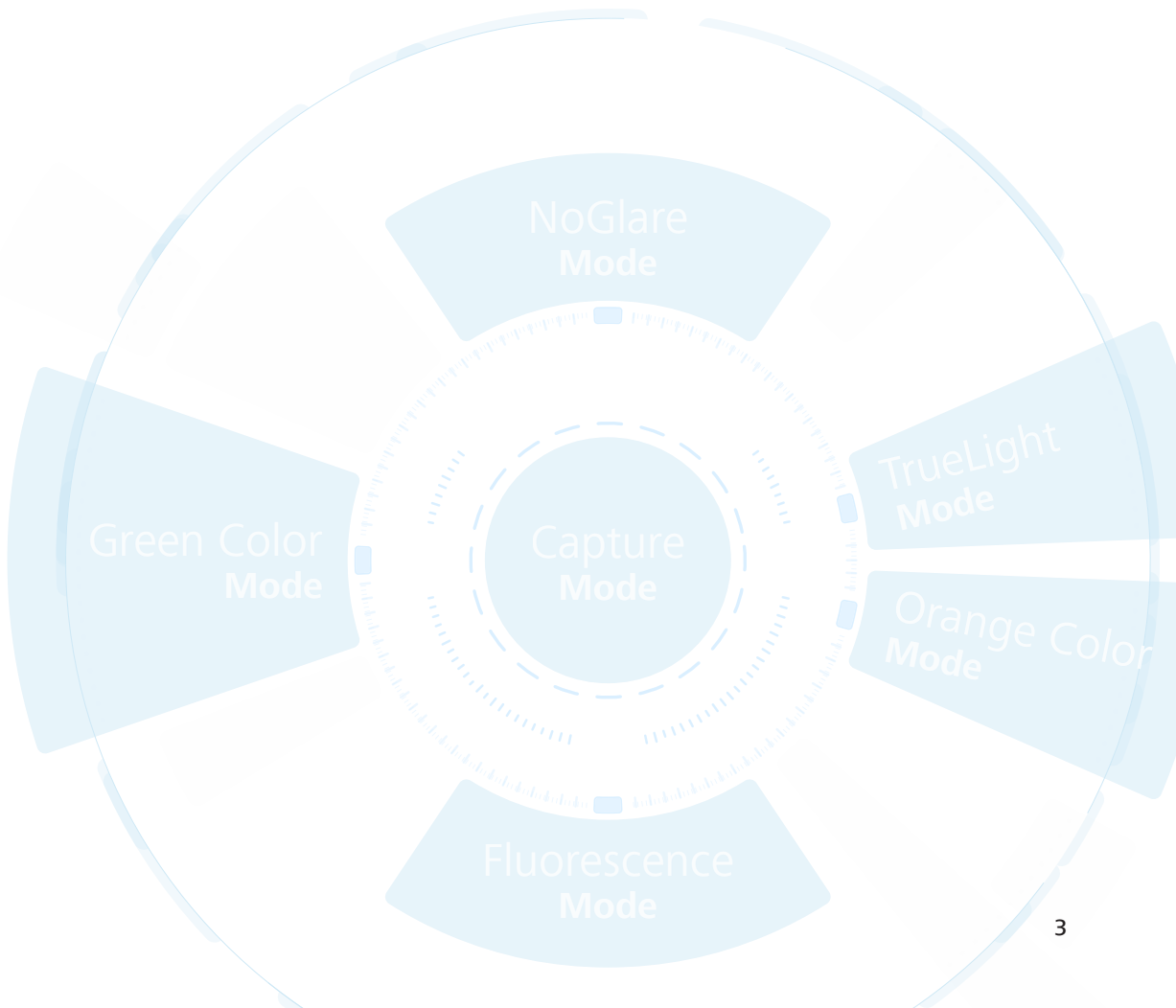
// INNOVATION
MADE BY ZEISS

ZEISS EXTARO 300

Visualize Beyond

Are you constantly looking for ways to elevate and differentiate your practice from mainstream dental providers? At ZEISS we know the challenges you face when you are aiming for the highest levels of performance and results – both functionally and aesthetically.

EXTARO® 300 from ZEISS provides breakthrough visualization modes that introduce new applications to microdentistry. From more efficient caries detection to a simpler tooth restoration workflow, ZEISS EXTARO 300 is poised to revolutionize and differentiate your practice.



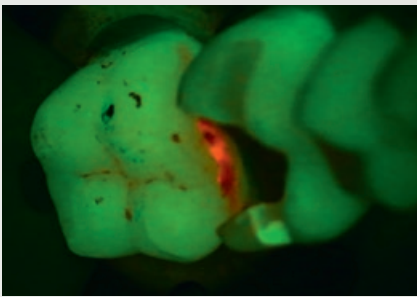


See to Preserve

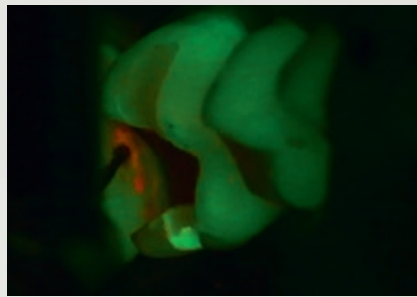
Repair caries-infected fillings efficiently.

The **Fluorescence Mode**¹ in ZEISS EXTARO 300 helps you to preserve as much of the healthy tooth substance as possible. As the first device combining caries detection technology² with optical magnification, the Fluorescence Mode in ZEISS EXTARO 300 supports detection of carious tooth substances during excavation of previously opened cavities.

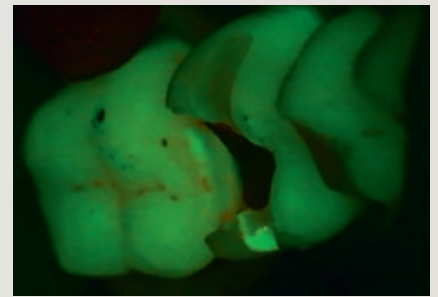
Identification of carious tissue under microscope visualization saves precious time as there is no need to interrupt the workflow for visual support.



Fluorescence Mode



Treatment using the Fluorescence Mode



Result after treatment using the Fluorescence Mode

Images courtesy of Dr. Tomas Lang, Essen, Germany

Reference:

¹ Fluorescence Mode for caries detection is not available for sale in the US, requires 510(k) clearance by the U.S. FDA and may be subject to change. Not for sale in every market.

² Jahrbuch der Endodontie 2017, Marktübersicht Mikroskope, OEMUS Verlag

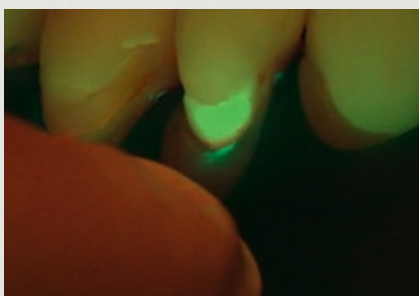


The Mode Control allows activation of all visual modes in one interface.

See the Difference

Identify the border between natural and artificial tooth material.

The **Fluorescence Mode** in ZEISS EXTARO 300 also supports you in distinguishing natural hard tooth tissue from the most widely used dental composite resins². Using this clear visual differentiation will help you to target the affected area quickly, saving you valuable chair time during excavation.



Fluorescence Mode



Treatment using the Fluorescence Mode



Magnified view

*Images courtesy of Dr. Tom Schloss,
Nuremberg, Germany*

² For specifications see user manual

See in True Light

Analyze and restore teeth without distracting reflections.

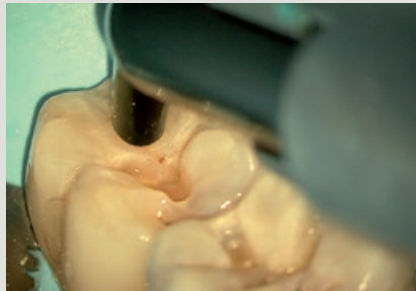
As the first device to combine polarized illumination with magnification, the **NoGlare Mode** in ZEISS EXTARO 300 allows you to precisely analyze the color shades of a tooth. The cross-polarization capability visualizes fine but relevant details such as color nuances. It effectively suppresses obtrusive light reflections from the tooth surface.

Prevent premature composite curing while working in a natural light environment.

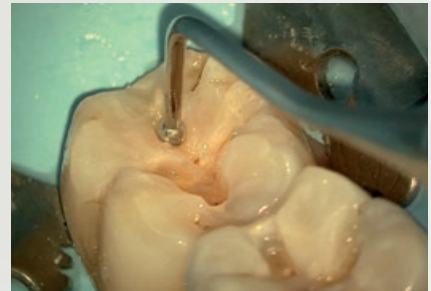
The **TrueLight Mode** in ZEISS EXTARO 300 inhibits the premature polymerization of widely used contemporary light curing composites under the microscope, giving you more time to finish complex modeling tasks, known from the existing Orange Color Mode. The new optimized color balance of the TrueLight Mode now allows you to identify relevant dental tissues in a natural, white-light setting.



Magnified view



Filling composite using the TrueLight Mode



Modeling of composite using the TrueLight Mode

*Images courtesy of Oscar Freiherr von Stetten,
Stuttgart, Germany*



The Power of Digital Interaction

Benefit from a digital workflow.

The integrated HD camera of ZEISS EXTARO 300 records wirelessly to the [ZEISS Connect App](#). Images and videos can be directly transferred to your local network.

Easily educate your patients and show them the value of your work.

ZEISS EXTARO 300 innovates patient interaction. With the ZEISS Connect App, you can show images of past and current patient conditions and highlight areas requiring treatment, enabling your patients to make informed decisions.





Experience Ergonomics

Single-hand operation of the dental microscope for an uninterrupted workflow.

Without leaving your preferred working position, you can reach the multifunctional **Mode Control** to activate all visual and capture modes. From the same position, you can operate the **Varioskop® 230** from ZEISS with only one finger. It allows you to adjust an unprecedented focal length of 200 – 430 mm.



Visual and capture mode activation



Varioskop 230 operation

Work in an upright posture.

45% of dentists suffer from back, neck and shoulder pain.³ Utilizing a dental surgical microscope is associated with enhanced ergonomics as confirmed by over 75% of dentists.⁴

Practicing with ZEISS EXTARO 300 can not only help improve your working comfort, but also support more efficient treatment through its central mode control. More ergonomic and comfortable working conditions may increase the longevity of your practicing career.

References:

³ Kerschbaum Prof. Dr., T. & Hilger Dr., M. (2000). *Der Zahnarzt und sein Körper. Ergonomie heute – eine Umfrage.*

In Zahnärztliche Mitteilungen (September 2000, p. 38 – 42). Berlin

⁴ ZAUGG B, STASSINAKIS A, HOTZ P: *Influence of magnification tools on the recognition of artificial preparation and restoration defects (in German).*
In: Schweizer Monatsschrift für Zahnmedizin (114), pp. 890-896



Technical Data

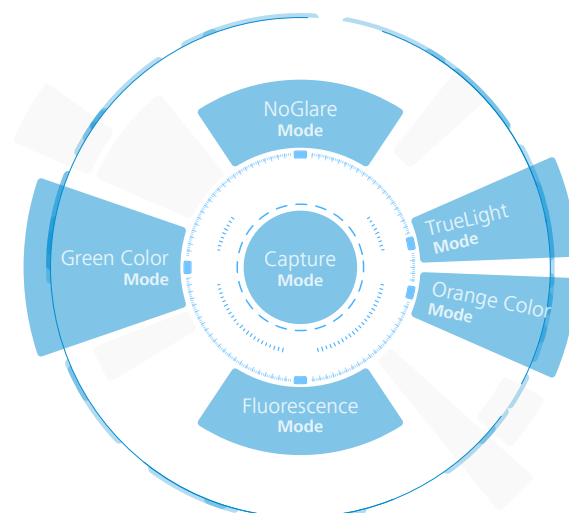
EXTARO 300 from ZEISS

Basic Configuration

Magnification System	Manual apochromatic magnification changer
Eyepieces	12.5x or 10x widefield eyepieces
Tube	180° tiltable tube
Focus	Varioskop 230, working distance 200–430 mm
Illumination System	LED, 5500 K Orange Color Mode Green Color Mode
User Interface	Ergonomic handgrip Mode Control Single finger adjustable illumination and working distance

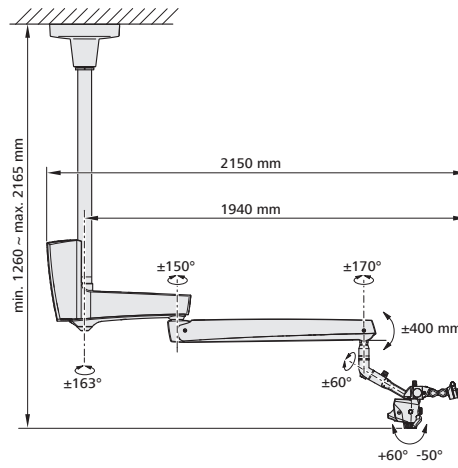
Options

Enhanced Visualization	TrueLight Mode NoGlare Mode Fluorescence Mode
Communication	Essential: Integrated HD camera with recording on USB Complete: Integrated HD camera with wireless recording to the ZEISS Connect App. Network integration available for archiving purposes. Adapter for digital cameras
Ergonomics	Foldable Tube f170/f260 including the PROMAG function boosts to 150% magnification for a detailed view MORA Interface – remain in an upright position regardless of the angle of view
Illumination System	LightBoost – Xenon equivalent light intensities
Asepsis	Starter Kit Asepsis with high quality splash protection for the objective lens Starter Kit VisionGuard® drapes

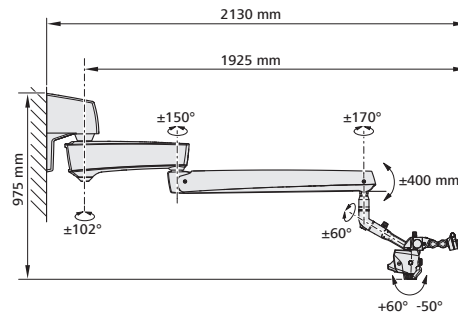


Suspension System Options

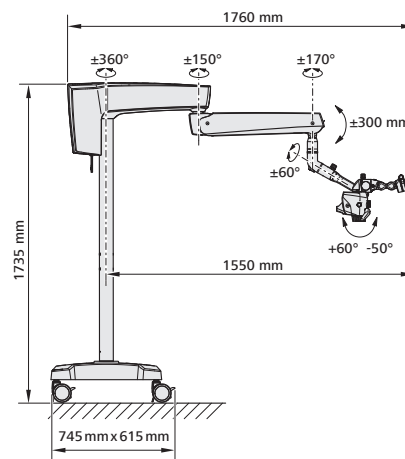
Ceiling mount



Wall mount



Floor stand





Carl Zeiss Suzhou Co., Ltd
Modern Industrial Square 3-B,
No.333 Xingpu Road
Suzhou Industrial Park, Suzhou
China 215126
Phone: +86 512 6287 1388
Fax: +86 512 6287 1366



Carl Zeiss Meditec AG
Goeschwitzer Strasse 51–52
07745 Jena, Germany
Phone: +49 36 41 22 03 33
Fax: +49 36 41 22 01 12
www.zeiss.com/med/contacts
www.zeiss.com/dentistry/extaro-300

EN_30_010_00201 SUR.8607 Printed in Germany. AW-CZ-III/2017 Poos International edition: Only for sale in selected countries.
The contents of the brochure may differ from the current status of approval of the product or service offering in your country. Please contact our regional representatives for more information. Subject to changes in design and scope of delivery and due to ongoing technical development. EXTARO, Varioskop and VisionGuard are either trademarks or registered trademarks of Carl Zeiss Meditec AG or other companies of the ZEISS Group in Germany and other countries.
© Carl Zeiss Meditec AG, 2017. All rights reserved.